



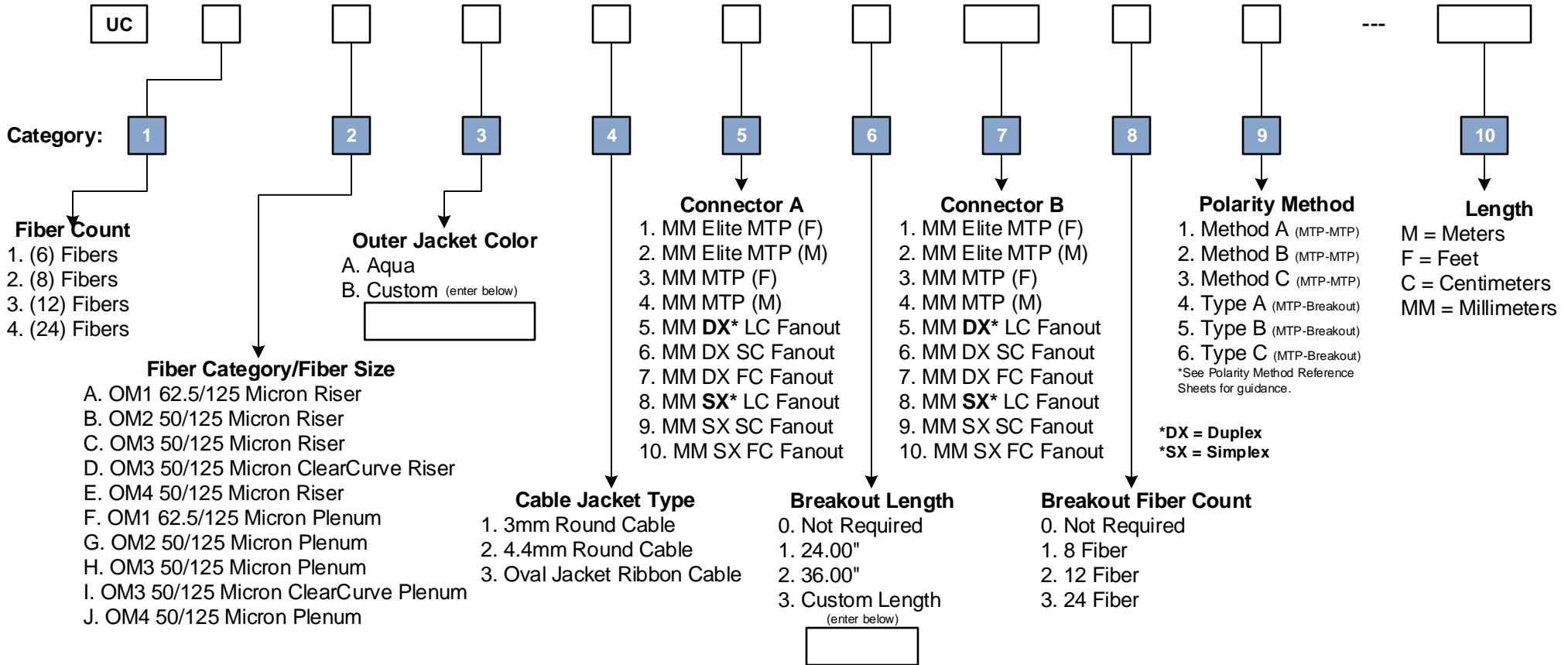
# MTP® - MTP®, MTP® - Breakout and Breakout - Breakout Cable Custom Ordering Chart

Customer Name:

Company Name:

*Category:	UC	1	2	3	4	5	6	7	8	9	---	10
*Example:	UC	2	J	A	1	1	0	1	0	1	---	10M
*Example Description: 8Fiber – OM4 – Plenum – Aqua – 3mm Round - MTP(F)- MTP(F) Method: A – 10 Meters												

\*Write the corresponding category number in each black outlined box based on desired specifications.



**Need a custom MTP/MPO configuration or multi-fiber solution? Email our Solutions Team with the requirements and drawing(s) for a FREE quote today!**

\*Scan and email this form to: solutions@ucon-x.com. UconX is not responsible for any typographical errors made by the customer. Please double check your specifications prior to submitting this ordering chart.